

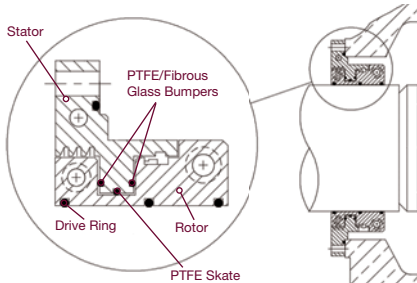
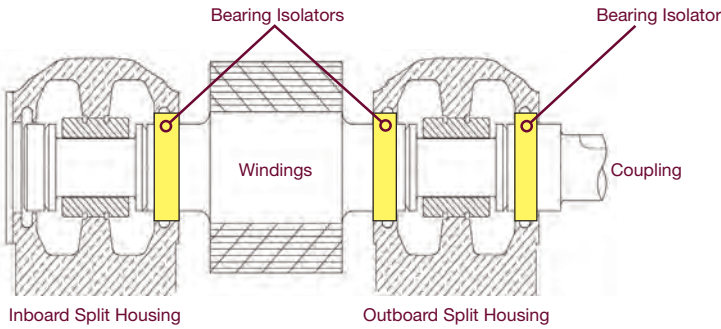


APPLICATION SOLUTIONS: **SLEEVE BEARING MOTORS**

IMPROVE OPERATIONAL EXCELLENCE AND PROFITS.

Sleeve bearing motors are a critical asset in any industrial operation. Ineffective internal labyrinth seals allow oil to be drawn into the motor windings, coating them, degrading the insulation and causing the windings to overheat. Ineffective labyrinth seals on the drive end allow contamination to enter the bearing housing and contaminate the bearings. Both conditions lead to unscheduled downtime, expensive repair and safety issues.

Effectively seal your bearing housing with Inpro/Seal® proprietary, custom engineered solutions. Inpro/Seal solutions designed for sleeve bearing motors utilize a unique design to permanently protect the windings from oil contamination as well as protect the bearings from external contamination.



The Inpro/Seal Unitary Bearing Isolator is designed to expel lubricant back to the bearing sump and away from the windings along with accommodating shaft rise and axial movement during start-up and shutdown.

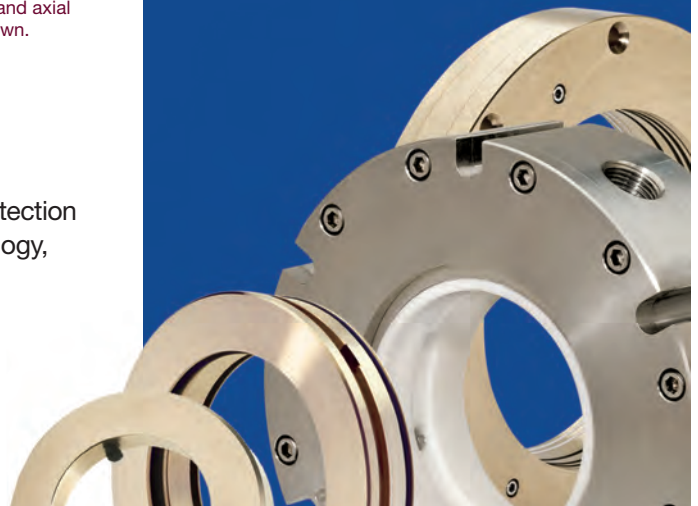
Count on us to improve reliability, increase MTBR, and maximize asset protection and utilization. As the inventor and global leader of bearing isolator technology, Inpro/Seal has the knowledge and local sales network to deliver expert engineering and proven results.



FACTS AT A GLANCE

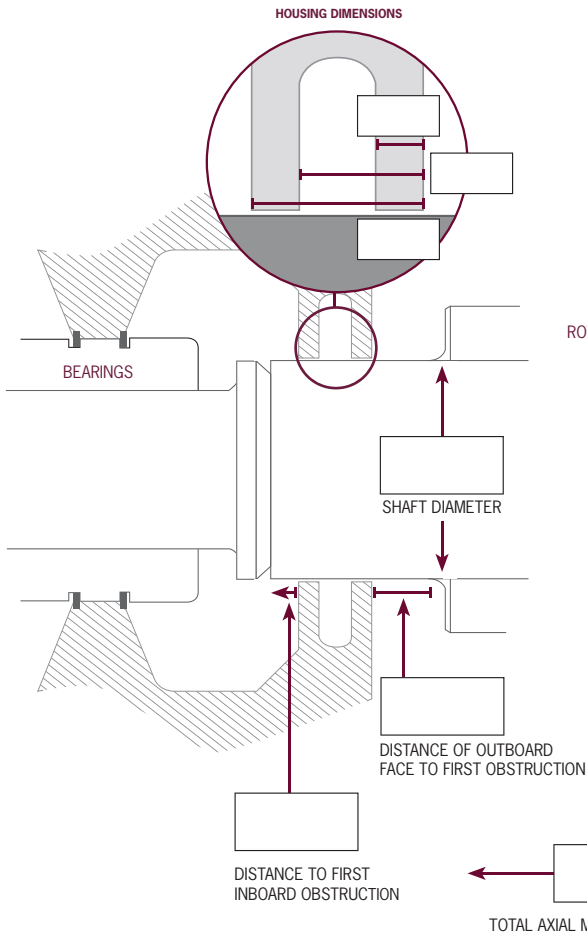
Inpro/Seal® Bearing Isolators installed on sleeve bearing motors:

- permanently protects motor windings and bearings.
- accommodate axial movement.
- can be split for ease of installation.
- are a direct retrofit; no housing modification on most motors.
- are maintenance free.
- improve plant safety and cleanliness.
- reduce scheduled maintenance intervals.
- are available with an air purge design for 2-Pole motors.

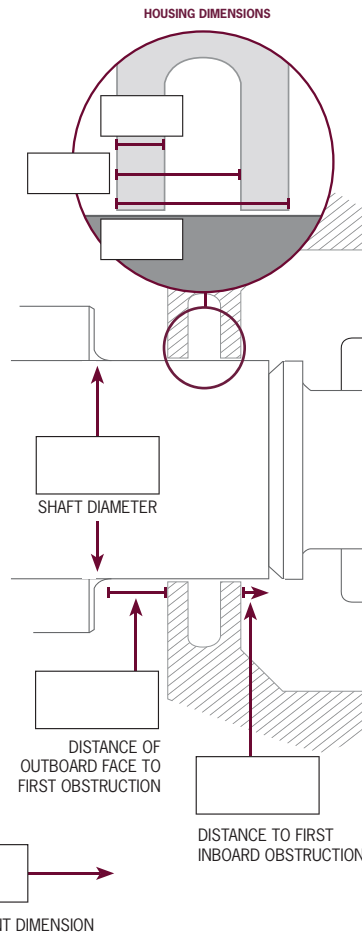


SLEEVE BEARING MOTOR REQUEST FOR QUOTE

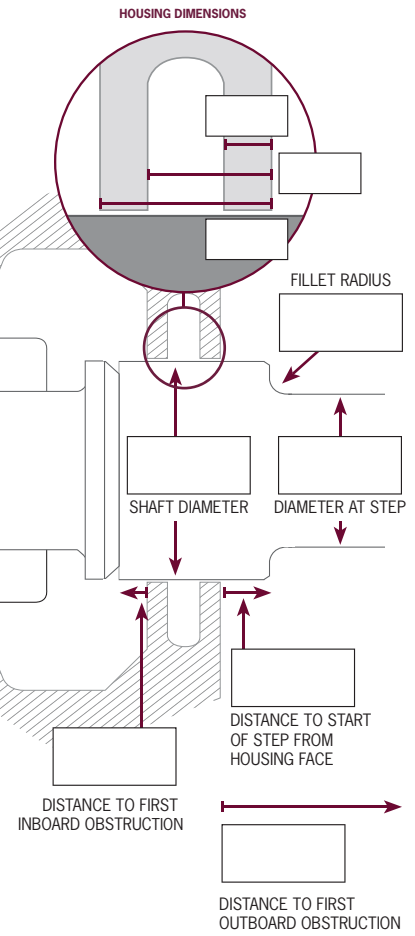
OPPOSITE DRIVE END INBOARD



OPPOSITE DRIVE END



DRIVE END



AXIAL MOVEMENT DIMENSION WITH ROTOR THRUSTING TOWARD: ODE DE

PLEASE SUPPLY ALL DIMENSIONS TO 3 DECIMAL PLACES

Data Needed For Quote

SHAFT SPEED: _____

SEAL LOCATION: Drive End Opposite Drive End
Opposite Drive End Inboard

HOUSING TYPE: Solid Split

SEAL TYPE: Solid Split

CONSTRUCTION MATERIAL: Bronze Stainless Other

LUBE: Oil Forced Oil System

HOUSING VENTED: Yes No

TOTAL PIECES OF EQUIPMENT: _____

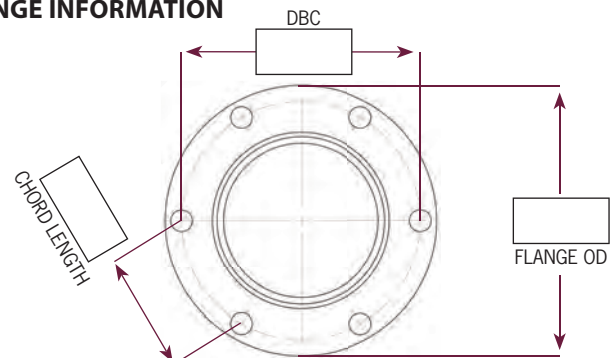
PRESSURE BALANCE PASSAGE TO ATMOSPHERE: Yes No

PRESSURE BALANCE PASSAGE TO SUMP: Yes No

CONTACT FOR QUESTIONS: _____

BRIEFLY DESCRIBE THE APPLICATION _____

FLANGE INFORMATION



Number of Bolt Holes: _____

Bolt Size: _____

Fax RFQ sheet to 309-787-6114 or email info@inpro-seal.com